

From the library of
A. Boyd Scott

JOURNAL
OF THE
Tennessee Academy of Science
VOLUME XXVI, NUMBER 3

CONTENTS

| | PAGE |
|---|------|
| AN ENLARGING CAMERA FOR ASTRONOMICAL PHOTOGRAPHY. CORD H. LINK AND B. V. RHODES. | 169 |
| NEWS OF TENNESSEE SCIENCE. C. S. SHOUP..... | 172 |
| RAYON MANUFACTURE BY THE VISCOSE PROCESS. LEE R. HERNDON..... | 173 |
| NOTES ON OKLAHOMA DRAGONFLIES. G. H. BICK | 178 |
| PROCEEDINGS OF THE TWELFTH ANNUAL MEETING OF THE ASSOCIATION OF SOUTH-EASTERN BIOLOGISTS. A. V. BEATTY..... | 181 |
| A NEW SPECIES OF <i>SMITHISTRUMA</i> FROM TENNESSEE (HYMENOPTERA: FORMICIDAE). DONALD W. PFITZER | 198 |
| THE DETERMINATION OF THE GALOIS GROUP OVER A FINITE FIELD. CHARLES L. BRADSHAW.. | 201 |
| NOTES ON THE BIRD-VOICED TREE FROG, <i>HYLA PHAEOCRYPSTA</i> . MALCOLM V. PARKER..... | 208 |
| THE SIGNIFICANCE OF MANAGED WATER LEVELS IN DEVELOPING THE FISHERIES OF LARGE IMPOUNDMENTS. ROY WOOD..... | 214 |
| THE CHEMOTHERAPY OF TUBERCULOSIS. W. M. WHALEY | 236 |
| PROBLEMS OF SCIENCE TEACHING IN SMALL HIGH SCHOOLS. MRS. ANNA W. PEARSALL..... | 241 |

JULY, 1951

JOURNAL

of the
Tennessee Academy of Science

EDITORIAL STAFF

- JESSE M. SHAVER, *Editor*, George Peabody College for Teachers, Nashville.
HARRY MONK, *Ornithology Editor*, Ovoca Apartments, Nashville.
W. ROGER RUSK, *Physics-Astronomy*, University of Tennessee, Knoxville.
CHARLES S. SHOUP, *News Editor*, Biology Division, U. S. Atomic Energy Commission, Oak Ridge.
M. L. MACQUEEN, *Mathematics Editor*, Southwestern, Memphis.
ELSIE QUARTERMAN, *Botany Editor*, Vanderbilt University, Nashville.
A. C. COLE, *Zoology Editor*, University of Tennessee, Knoxville.
-
-

Entered as second class matter February 12, 1926, at the post office at Nashville, Tennessee, under Act of August 24, 1912, acceptance of mailing at special rate of postage provided for in Section 1103, Act of October 3, 1917, and authorized September 16, 1931.

Published quarterly, in January, April, July, and October, by the Tennessee Academy of Science at Nashville, Tennessee.

The Journal is sent to all members not in arrears for dues. The subscription price is \$2.00 a year, invariably in advance. Single copies 50c.

All articles and communications for publication, books and publications for review should be addressed to the Editor.

New subscriptions, changes of address, and applications for membership should be addressed to the Secretary. Personal items, news of events in the scientific world, and other notes suitable for our "News of Tennessee Science" department should be addressed to the News Editor.

THE TENNESSEE ACADEMY OF SCIENCE

(FOUNDED, 1912, AT NASHVILLE, TENNESSEE)

Affiliated with the American Association for the Advancement of Science

AFFILIATED SOCIETIES

Tennessee Ornithological Society, Nashville, Tennessee.
Barnard Astronomical Club, Nashville.

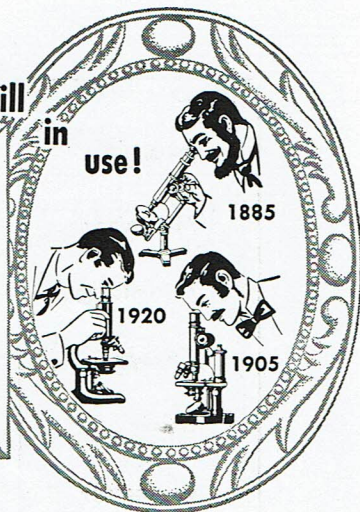
OFFICERS

CARL T. BAHNER, *President*, Carson-Newman College, Jefferson City.
CARL K. SEYFERT, *Vice-President*, Vanderbilt University, Nashville.
JESSE M. SHAVER, *Editor*, George Peabody College for Teachers, Nashville.
ARLO I. SMITH, *Secretary*, Southwestern College, Memphis.
MOFFAT G. BOYCE, *Treasurer*, Vanderbilt University, Nashville.

The Tennessee Academy of Science is very anxious to include in its membership all teachers and professors of science, research workers in science both in educational institutions and industrial establishments, and all others who are interested in some phase of science. We invite you to join our organization and take part in our activities. The annual dues are: \$3.00 for members and \$10.00 for sustaining members. They may be sent direct with your application for membership to the secretary.

Yesterday's Finest... many still

BUT TODAY you need
Bausch & Lomb "Years Ahead"
design ...

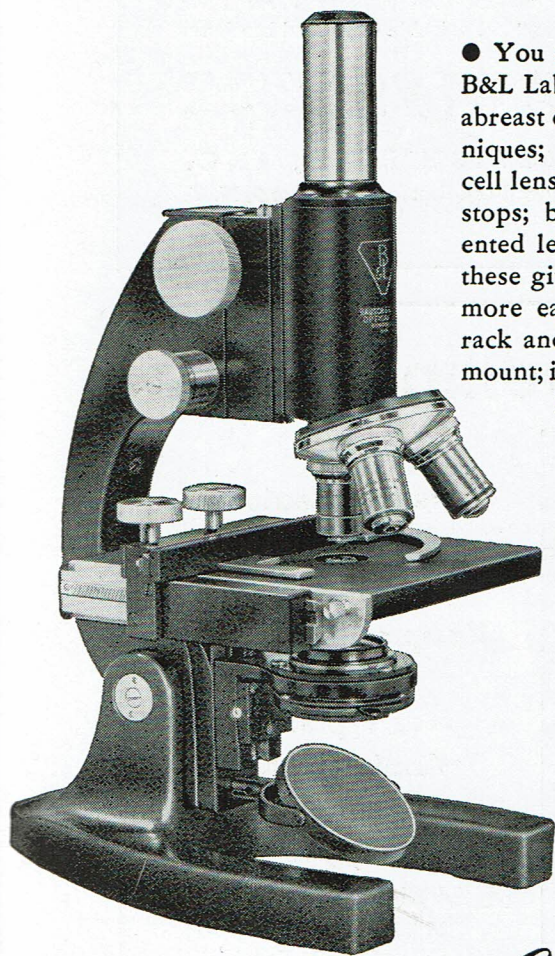


● You need these *exclusive* advantages of the B&L Laboratory Microscope to help keep you abreast of the latest scientific findings and techniques; variable focus condenser; threadless cell lens mounts; nosepiece with roller bearing stops; bronze body tube dove-tail slide; patented lever fine adjustment. B&L features like these give you the finest quality images, faster, more easily: coarse adjustment with *matched* rack and pinion; substage with full 360° ring mount; integral substage illuminator (optional); Balcoted optical system (optional) to reduce reflection and flare.

See the difference in a demonstration

Let *your own* test prove the smooth-as-silk motion, precise focusing and illumination control, world's finest optical system, and time-and effort-saving convenience of a new B&L Laboratory Microscope.

WRITE for complete information and demonstration to Bausch & Lomb Optical Company, 657-7 St. Paul St., Rochester 2, New York.



Bausch & Lomb *Laboratory* Microscopes

Geology

Mineralogy

Paleontology

Zoology

Botany

Entomology

Anatomy

Embryology

Parasitology

Profit In Your Collection

Solve your mineral or fossil storage and display problems with the outstanding school equipment aid of recent years. Ward's new *Unit-Basis Storage System* makes it easy for you to preserve the form and content of your collection by providing you with accurately interrelated physical aids — down to the smallest specimen tray. If you want the benefits of 100% utilization of storage space, coupled with maximum flexibility and orderliness in the arrangement of your specimens, write today for "*More Profit From Your Collection*" . . . valuable illustrated brochure.

WARD'S NATURAL SCIENCE

ESTABLISHMENT, INC.
3000 Ridge Road East Rochester 9, N. Y.

The Compelling Story

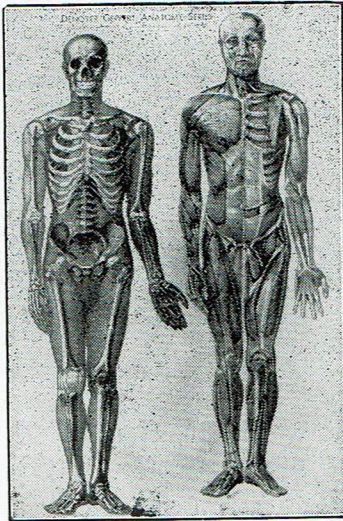


Chart KL1

of
**Human Anatomy
and Physiology**
in the
**Kampmeier-Lariviere
Charts**
**Masterpieces of
Anatomical Art**

WRITE FOR COMPLETE DESCRIPTIVE CIRCULAR S38T TO

DENOYER-GEPPERT COMPANY
5235 RAVENSWOOD AVE.
CHICAGO 40, ILLINOIS

CAROLINA CULTURES

A Dependable Culture Service

| Class of: | 25 | 50 | 75 | 100 |
|---|--------|--------|--------|--------|
| L1 Giant Amoeba proteus..... (standard for study) | \$2.00 | \$3.50 | \$4.75 | \$6.00 |
| L2 Paramecium multimicronucleatum (giant form; excellent for laboratory study) | 1.50 | 2.50 | 3.25 | 4.00 |
| L220 Planaria maculata or dorotocephala..... (maculata, light colored species, is generally preferred) | 2.00 | 3.50 | 4.75 | 6.00 |

SAME PRICE AS AMOEBA:

| | | | | | |
|-------------|-----------------------|----------|------------------------|-----------|----------------------------|
| P. caudatum | Stentor | Peranema | Spirostomum | Eudorina | Actinosphaerium |
| P. aurelia | Vorticella Desmids | Volvox | Chlamydomonas Hydra | Pandorina | Mixed Protozoa Pelomyxa |

SAME PRICE AS PARAMECIUM:

| | | | | | |
|---------|-----------------------------|----------|----------|-------------------------|----------|
| Euglena | Chilomonas | Euplotes | Copepods | Spirogyra | Elodea |
| Arcella | Centropyxis Vinegar Eels | Daphnia | Diatoms | Nitella Oscillatoria | Rotifers |

To expedite handling at transfer points in transit all living cultures are shipped Special Delivery same day received, or according to customer's shipping schedule. The above prices include container. Postage and Special Delivery are charged to the customer.

For Drosophila cultures, Tenebrio or "Meal-worms," Aquarium Sets or Assortments, living Frogs, Turtles, Rats, Mice, etc., see our Catalogue number 18.

Cultures of Bacteria and Fungi are also available.

We have a complete line of Preserved Specimens, Microscope Slides, Kodachromes, Dissecting Instruments, etc. Our publications—CAROLINA TIPS and Catalogue number 18—will be sent free upon application.

CAROLINA BIOLOGICAL SUPPLY COMPANY
ELON COLLEGE, NORTH CAROLINA

Turtox Cultures and Culture Concentrates

Turtox not only furnishes pure-line cultures of all of the commonly studied protozoa and of such flagellates as Volvox, Pandorina, Chlamydomonas, etc., but also furnishes special *culture concentrates* for rearing Paramecium, Volvox, Pandorina, Sphaerella, Chlamydomonas, Spirogyra and other forms. Now you can easily maintain pure cultures of these forms in your own laboratory.

Write for lists of Turtox Cultures and Turtox Culture Concentrates.

GENERAL BIOLOGICAL SUPPLY HOUSE

(INCORPORATED)

761-763 East 69th Place

Chicago 37, Illinois

YOUR COMPLETE LABORATORY NEEDS FROM ONE SOURCE

Here are just a few of more than 900 representative makers of laboratory equipment and supplies whose products we handle:

Wm. Ainsworth & Sons, Inc.
American Balance Corp.
American Sterilizer Co.
American Optical Co.
Barnstead Still & Ster. Co.
Bausch & Lomb Opt. Co.
Christian Becker
Beckman Instruments, Inc.
Becton Dickinson & Co.
Wm. Boekel & Co., Inc.
Brookfield Eng. Labs
Buehler, Ltd.
Wilmot Castle Co.
Corning Glass Works
Coors Porcelain Co.
Despatch Oven Co.
Elec. Heat Control App. Co.
Glas-Col Apparatus Co.
Hevi Duty Electric Co.
Hoskins Mfg. Co.
International Equip. Co.
Kimble Glass Co.

Klett Mfg. Co.
Lindberg Eng. Co.
Mixing Equip. Co., Inc.
National Appliance Co.
Ohaus Scale Corp.
Parr Instrument Co.
Photovolt Corp.
Precision Scientific Co.
Roller-Smith
Seederer-Kohlbusch, Inc.
F. J. Stokes Mach. Co.
Torsion Balance Co.
Volland & Sons, Inc.

Reagents, etc.
J. T. Baker
Eastman Organics
Difco
Harleco
Merck
National Aniline
Will "Bioloid"

Space does not permit listing the rest—but if it's for the laboratory—we have it or can get it for you!

Large and varied stocks are maintained in our Atlanta office-warehouse. Stocks of four other eastern WILL divisions are also instantly available, through hourly teletype service.

Save time and expense by ordering ALL your laboratory needs from this ONE nearby source of supply!

SERVING SCIENCE

WILL
THROUGH SUPPLY

SOUTHERN SCIENTIFIC CO., INC.

DIVISION OF WILL CORPORATION

188-192 WALTON STREET, N.W. • ATLANTA 3, GA.
LABORATORY APPARATUS AND CHEMICALS